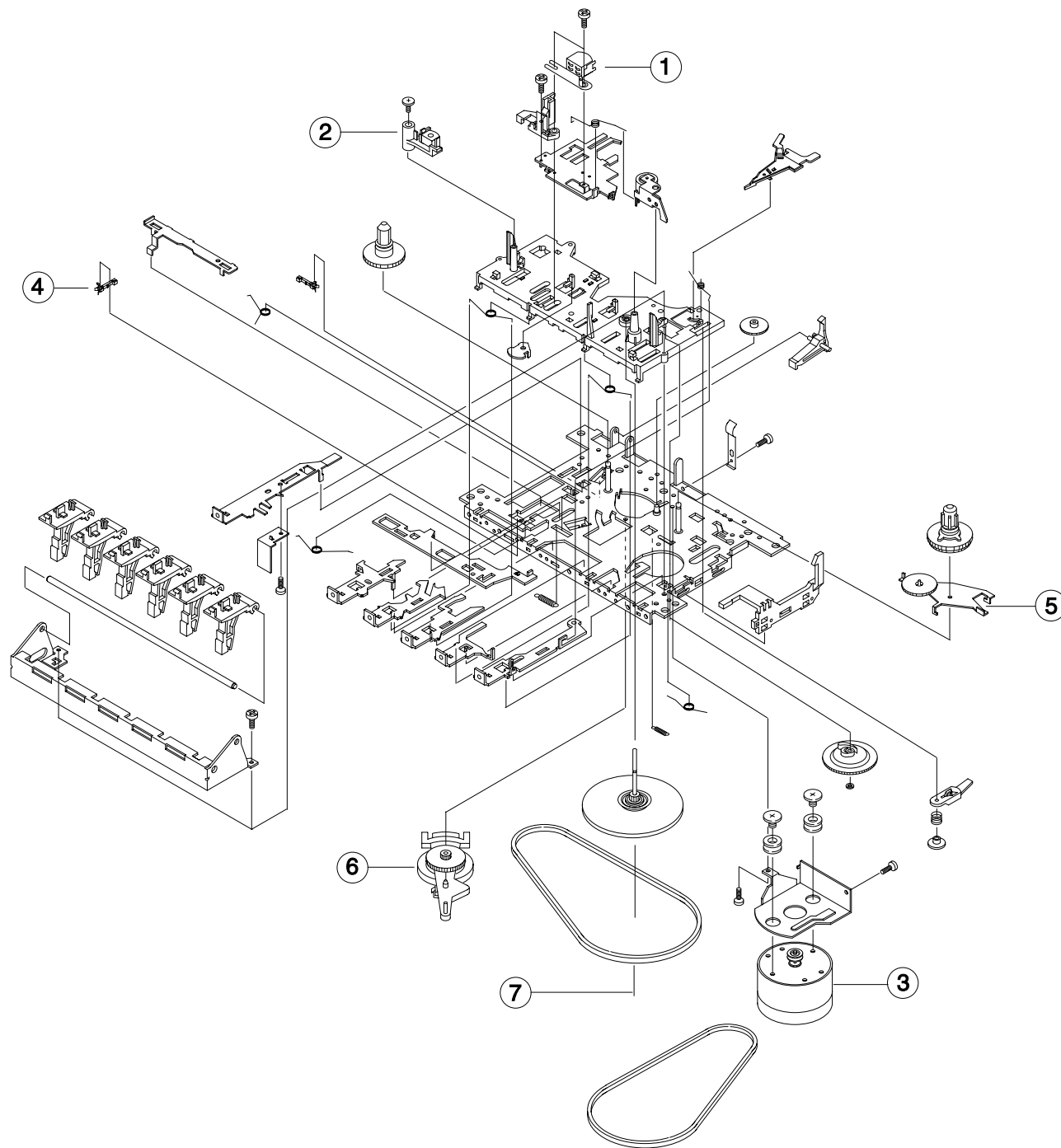


2.Exploded Views and Parts List

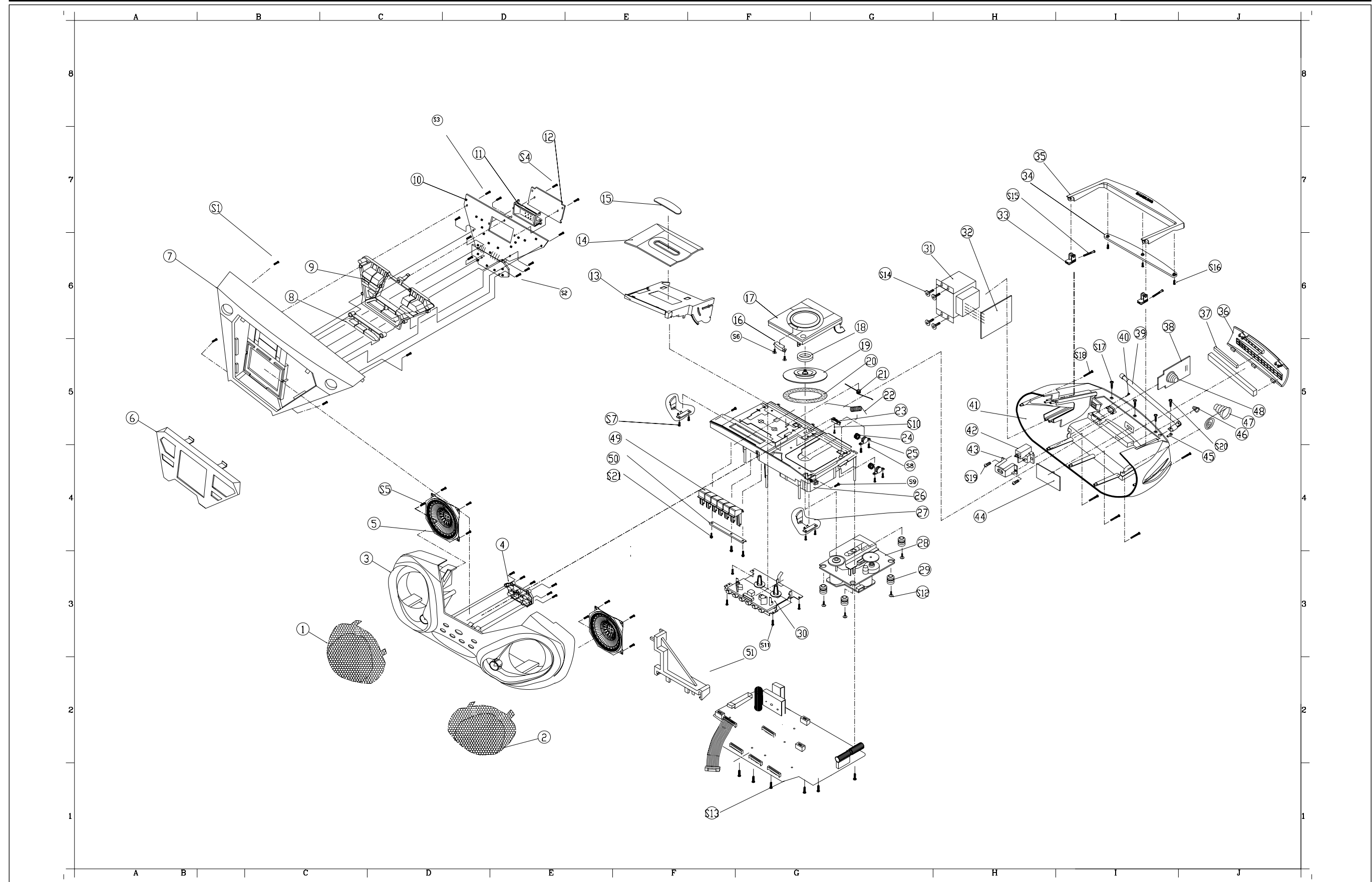
2-1 Cassette Deck Exploded View and Parts List



No.	Code No.	Description	Specification	Remarks
	AH59-01167A	DECK-CASSETTE	ADR2083FR2,A/STOP	DC12V
1	AH81-01001A	A/S-R/P HEAD	DZS15R-120N1	
2	AH81-01002A	A/S-ERASE HEAD	TC230AN	
3	AH81-01003A	A/S-MOTOR	EG-530AD-2B	
4	AH81-01004A	A/S-LEAF SWITCH	MSW-1541XACV	
5	AH81-10025E	A/S-IDLER ARM ASSY	ADR02-042	
6	AH81-10025J	A/S-FR ARM ASSY	ADR22-012	
7	AH81-10026V	A/S-BELT(MAIN)	PI45.5XT1.0	

2-2 Main Exploded View and Parts List

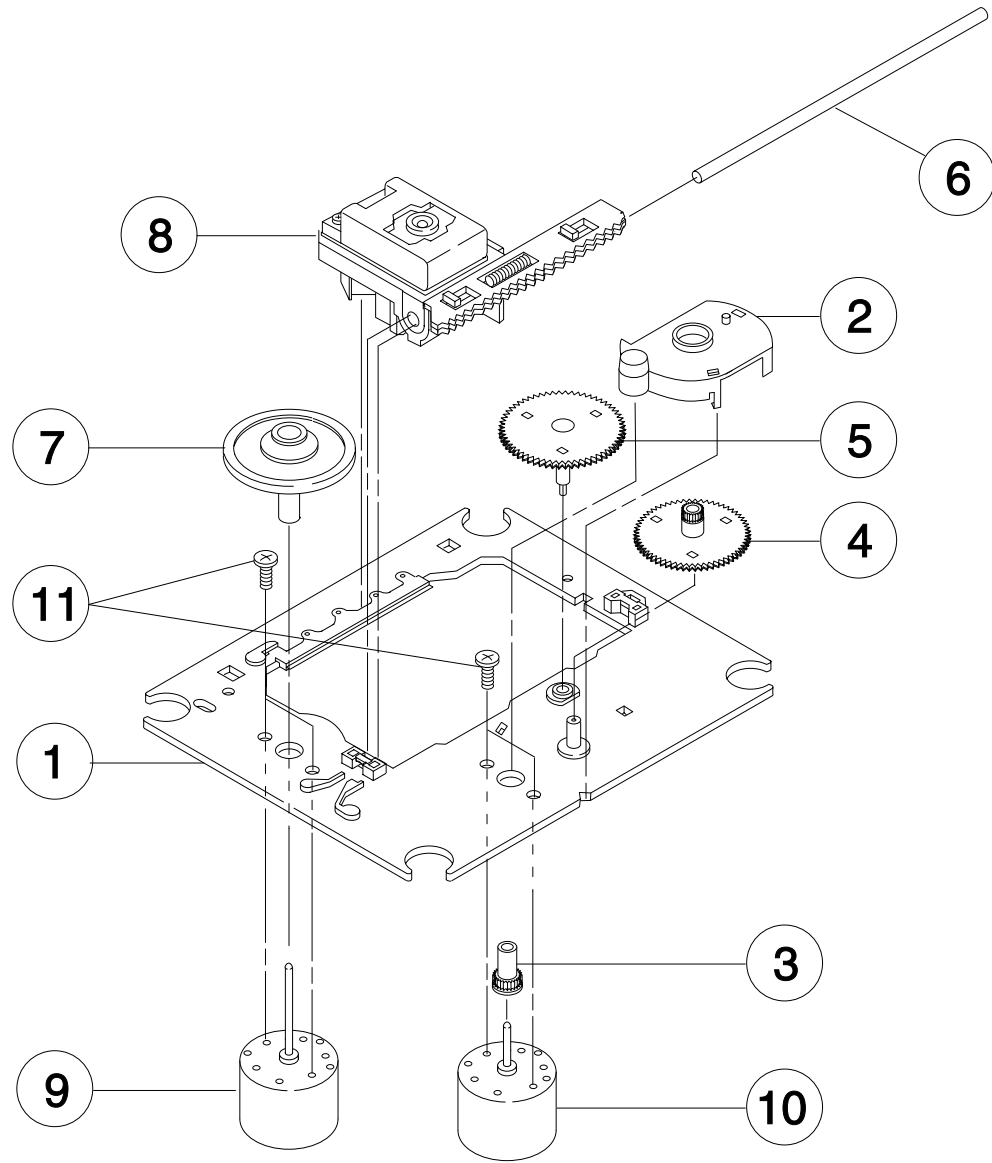
2-2-1 Exploded View ; RCD-S50



2-2-2 Parts List

No.	Code No.	Description	Specification	Q'TY	No.	Code No.	Description	Specification	Q'TY
1	AH81-00403H	SPEAKER GRILLE (L)	761-S50GS7-000	1	46	AH81-00827J	BATTERY SPRING (+)#30/50/35/55	765-303550-000	1
2	AH81-00407H	CABINET FRONT	555-2010J6-010	1	47	AH81-00827H	BATTERY SPRING (+/-)	763-303550-000	1
3	AH81-00413F	KNOB CONTROL (TIME CONTROL)	550-2503W8-010	1	48	AH81-00827G	BATTERY SPRING (-)#30/50/35/55	764-303550-000	2
4	AH81-00402H	SPEAKER GRILLE (R)	762-S50GS7-000	1	49	AH81-00979G	CASS KNOB(PAUSE)	530-2101N4-010	1
5	AH81-00836J	SPEAKER 4 4 OHM 3W	154-494030-459	2	49	AH81-00979H	CASS KNOB(STOP/EJECT)	530-2102N4-010	1
6	AH81-00394F	DISPLAY PANEL	550-245400-010	1	49	AH81-00979J	CASS KNOB(REWIND)	530-2103N4-010	1
7	AH81-00394G	DISPLAY COVER	550-2458W8-010	1	49	AH81-00979K	CASS KNOB(F.F.)	530-2104N4-010	1
8	AH81-00409F	KNOB POWER (FUNCTION)	550-2501W8-010	1	49	AH81-00979L	CASS KNOB(PLAY)	530-2105N4-010	1
9	AH81-00411D	KNOB FUNCTION (CONTROL)	550-2502W8-000	6	49	AH81-00979M	CASS KNOB(RECORD)	530-2106N4-010	1
11	AH81-00827W	LCD REFLECTOR HOLDER	555-231064-000	1	51	AH81-00827E	RECORDING LEVER		1
13	AH81-00405G	CASS DOOR BRACKET	530-2290AG-000	1					
14	AH81-00406J	CASS DOOR	530-2030W8-010	1					
15	AH81-00406G	CASS DOOR LENS	535-2720AH-000	1					
16	AH81-00425H	CD DOOR LENS	535-2803AH-000	1					
17	AH81-00425K	CD DOOR	535-2490N3-010	1					
18	AH81-00827M	CD MAGNET RING 27x17x0.6mm	473-271706-000	1					
19	AH81-00828P	CD CHUCK	535-235000-000	1					
20	AH81-00827A	FELT PAPER	419-948905-005	1					
21	AH81-00827F	CASS DOOR SPRING #35/55/30/50	766-303550-000	1					
22	AH81-00827K	SPRING FOR CD DOOR#30/50/35/55	479-305055-000	1					
23	AH81-00827X	LEAF SWITCH	217-200028-000	1					
25	AH61-80030A	DAMPER ASS'Y		2					
26	AH81-00404J	CABINET TOP	530-2470W8-010	1					
27	AH95-50001A	LATCH ASS'Y (CD DOOR LOCK)	846-303550-000	2					
29	AH81-00827P	VIBRATION RUBBER 40°∅(GREEN)	458-303550-040	4					
33	AH81-00828H	HANDLE HOOKER	535-237000-000	2					
34	AH81-00398V	HANDEL COVER	535-2050AG-001	1					
35	AH81-00398U	HANDLE	535-2050N3-000	1					
36	AH81-00397G	LID BATTERY	535-2040N3-000	1					
39	AH81-00827L	ROD ANTENNA 3SECTION	155-303550-000	1					
40	AH81-00827S	BATTERY SPRING CLOCK(-) FOR 55/50	765-505500-000	1					
41	AH81-00417G	CABINET REAR	535-2020N3-000	1					
43	AH81-00827T	COVER FOR AC SOCKET	500-025100-000	1					
45	AH81-00827Y	BRACKET ANTENA	451-340000-000	1					

2-3 CD Deck Exploded View and Parts List



No.	Code No.	Description	Specification	Remarks
	AH81-00568R	CD MECHA	P31TG6U(CMS-P31)	
1	AH81-00635A	CHASSIS-DECK(M)	AJ70-00601E	
2	AH81-00635D	COVER-GEAR	AJ66-00601G	
3	AH81-00635B	GEAR(A)	AJ66-00601D	
4	AH81-00635E	GEAR(B)	AJ66-00601B	
5	AH81-00635F	GEAR(C)	AJ66-00601F	
6	AH81-00635G	SHAFT-PU	AJ70-00601A	
7	AH81-00635H	TURN-TABLE(T)	AJ72-00602A	
8	AH81-00635J	SOH-AA	AJ75-00601F	
9	AH81-00635K	MOTOR-SPINDLE	AJ31-00601C	
10	AH81-00635C	MOTOR-FEED	AJ31-00601A	
11	AH81-00635L	SCREW-PH	AJ60-00601D	